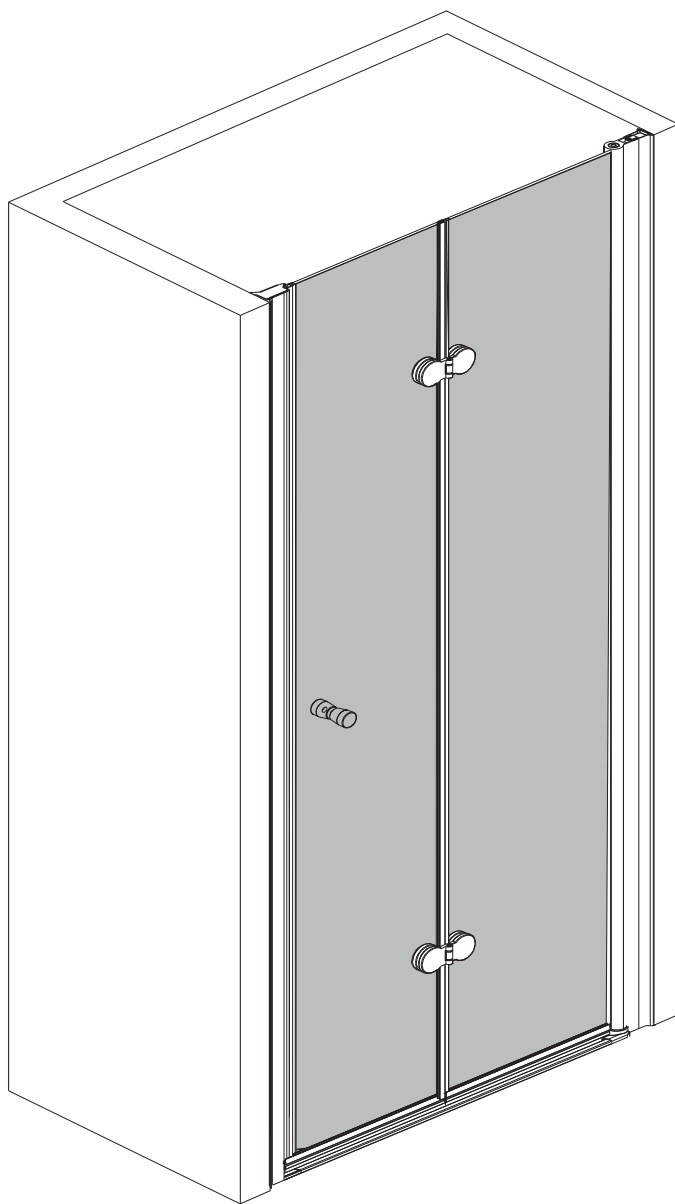
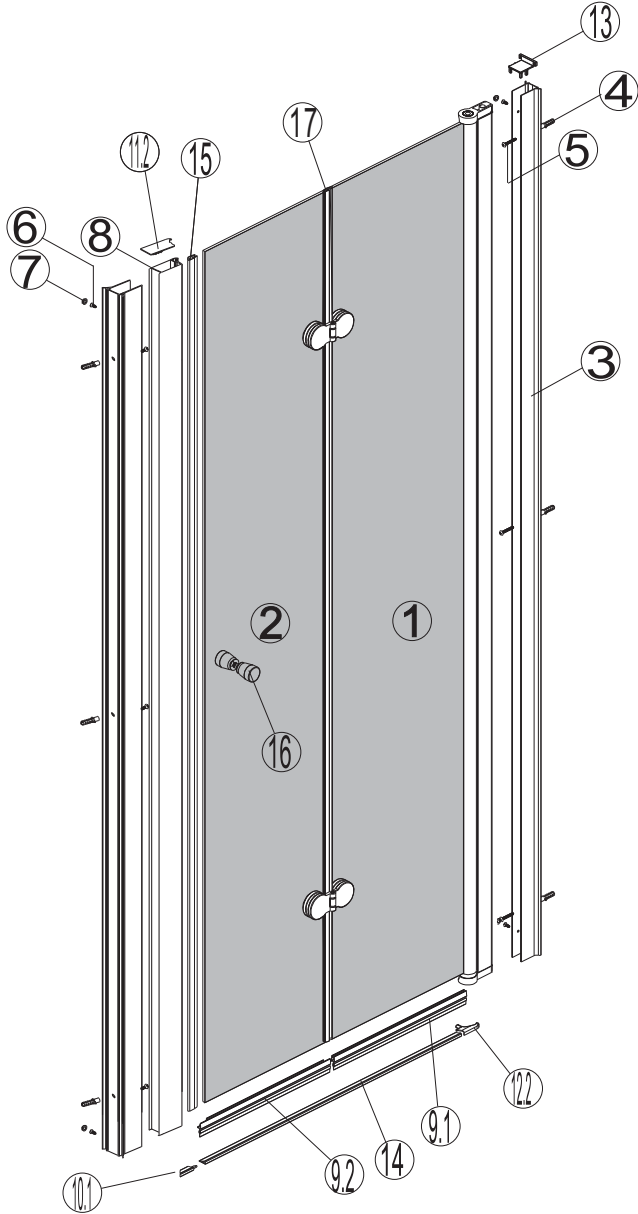
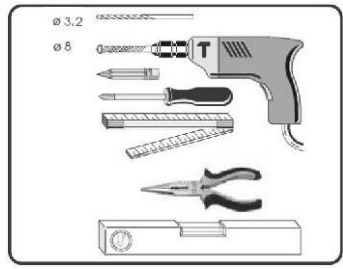
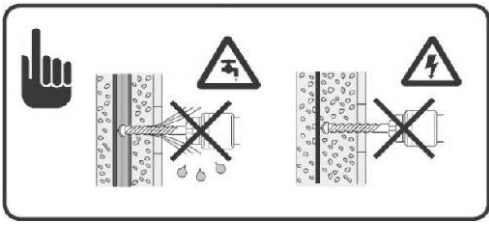




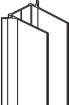



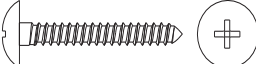
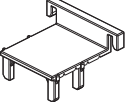



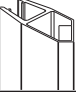
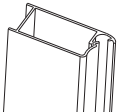








# Zalamovacie sprchové dvere Sanovo Mystery

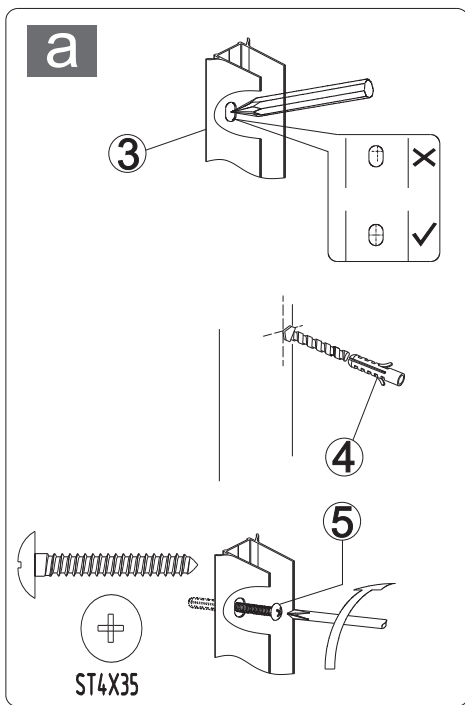
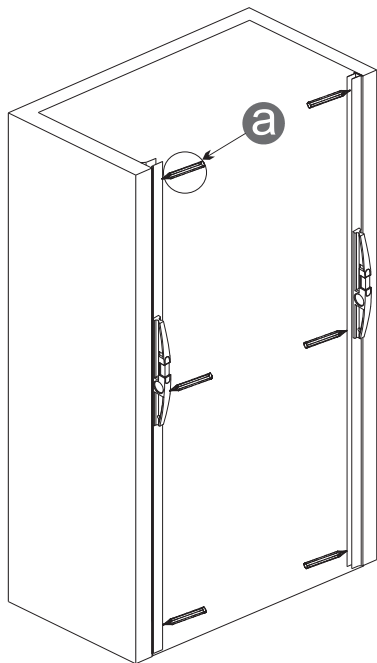


AZS281901-000A

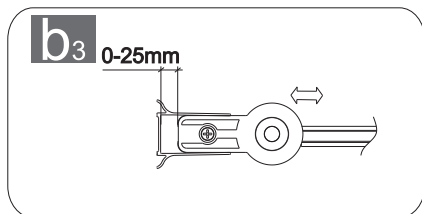
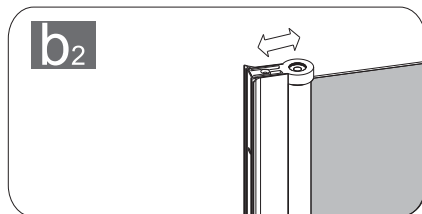
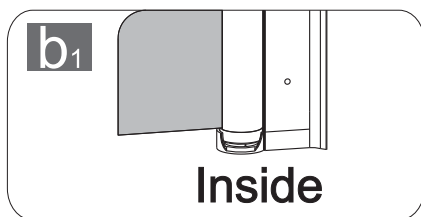
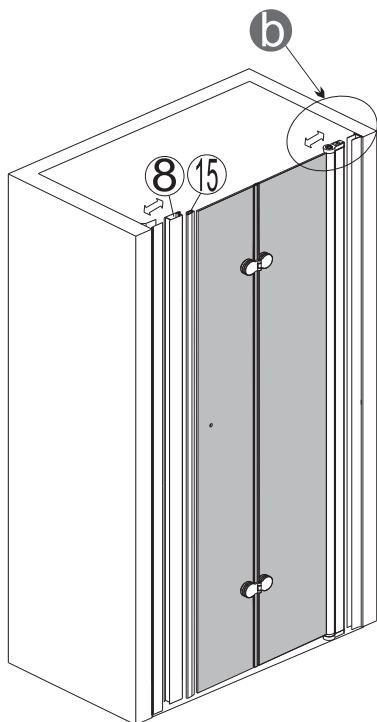


NO.	Designation	Pieces	NO.	Designation	Pieces
1		X1	11.1		X1
2		X1	11.2		X1
3		X2	12.1		X1
4	 $\phi 8$	X6+1	12.2		X1
5	 ST4X35	X6+1	13		X1
6	 ST4X10	X4+1	14		X1
7		X4+1	15		X1
8		X1	16	A <sub>1</sub>	X2
9.1		X1		A <sub>2</sub>	X4
9.2		X1		A <sub>3</sub>	X8
10.1		X1		A <sub>4</sub>	X4
10.2		X1		B <sub>1</sub>	X4
				B <sub>2</sub>	X4
			B <sub>3</sub>	X2	
			B <sub>4</sub>	X2	
			C <sub>1</sub>	X4	
			C <sub>2</sub>	X4	
			C <sub>3</sub>	X2	
			C <sub>4</sub>	X8	
			C <sub>5</sub>	X4	
			C <sub>6</sub>	X2	
			D	No handle	
			17		X1
				 $\phi 8$ $\phi 3.2$	

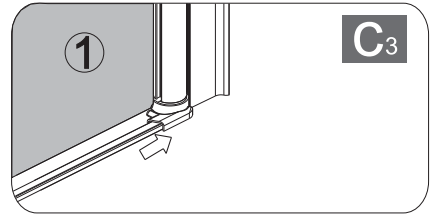
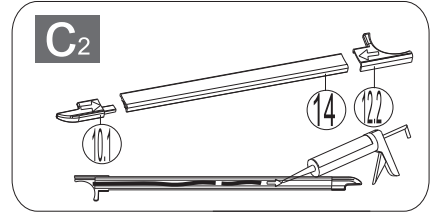
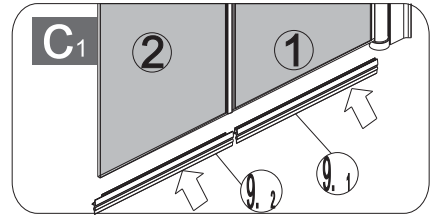
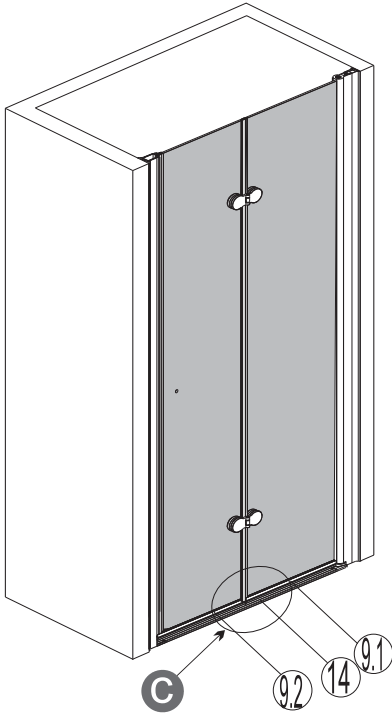
1.



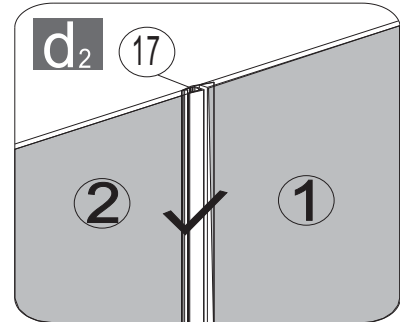
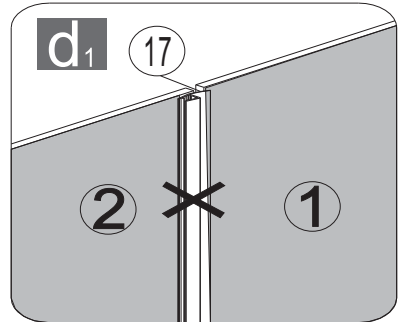
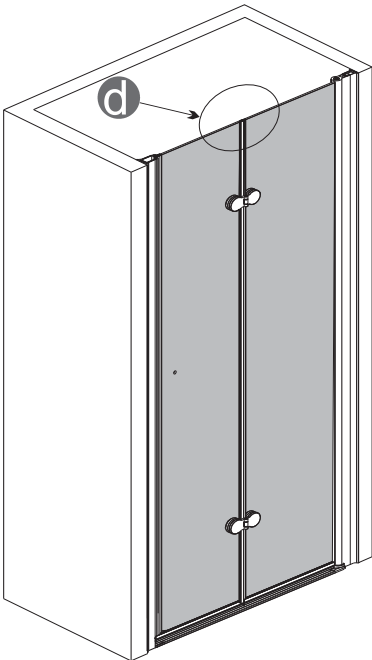
2.



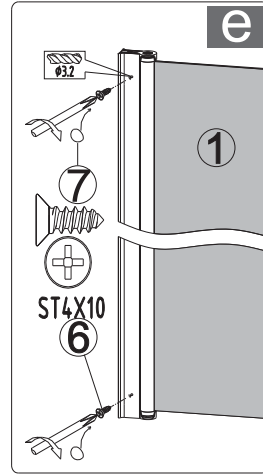
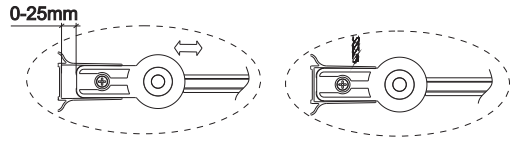
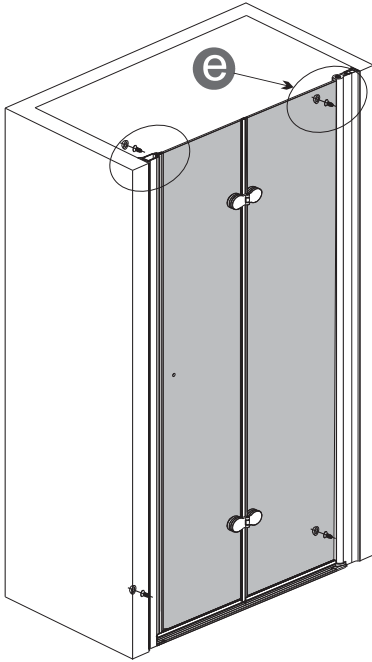
3.



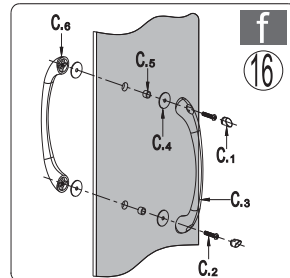
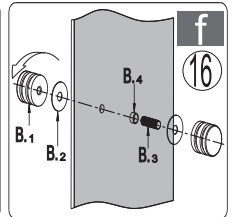
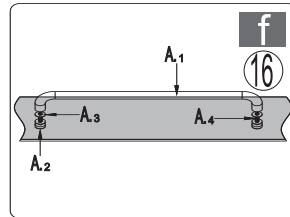
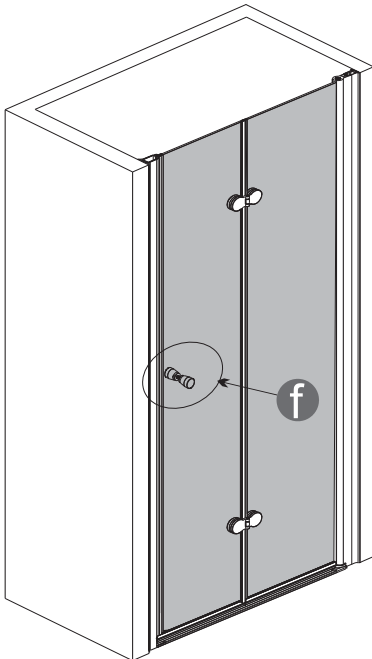
4.



5.



6.



7.

